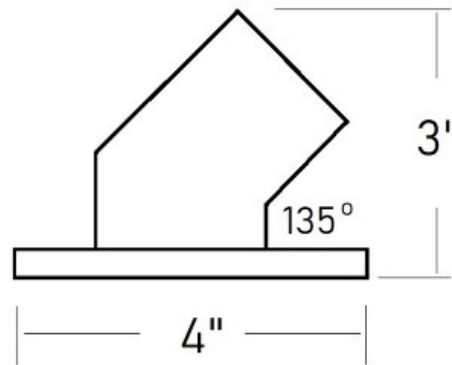


**00-535/2 Polished Brass 45 Degree Angle Flange 2" OD**



This 45 degree angle flange is an optimal solution to build angled sneeze guards or to terminate a tube from a 45 degree angle to a wall. 00-535/2 is made of polished brass and is for tube size 1-1/2" OD x 0.05" wall. The mounting flange has three counter sunk holes.

**Material Care:** Maintain a polished finish with metal polish, item# 00202. Apply with a soft, damp cloth.