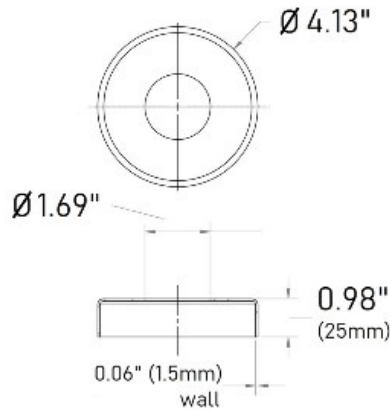


**49-540/424 316 Satin (Brushed) Stainless Steel Flange Canopy 1.67" Tubing**



The 49-540/424 round flange canopy or escutcheon plate is made of 316 grade stainless steel, has a satin (brushed) finish and allows for a 1.67" diameter round tube to pass through its center hole. Use this cover as a decorative addition to flanges that are often unseemly because of the mounting hardware used with them.

Carton Qty: 50

Master Carton Qty: 100

**Material Care:** Clean with stainless steel cleaner and protectant, item# CAE-ZClearnKIT.