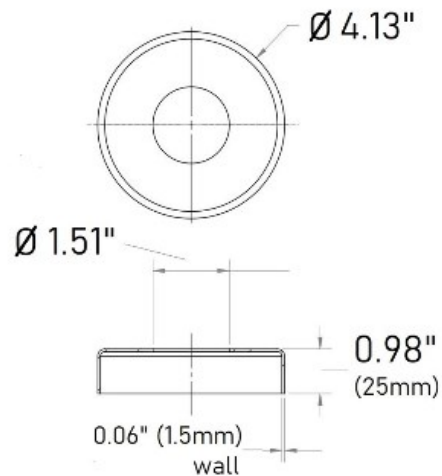


49-540/1H 316 Satin (Brushed) Stainless Steel Flange Canopy 1.5" Tubing



The 49-540/1H round flange canopy or escutcheon plate is made of 316 grade stainless steel, has a satin (brushed) finish and allows for a 1-1/2" diameter round tube to pass through its center hole. Use this cover as a decorative addition to flanges that are often unseemly because of the mounting hardware used with them.

Material Care: Clean with stainless steel cleaner and protectant, item# CAE-ZClearnKIT.

Call toll free at 877-810-4116 to speak with a product specialist.