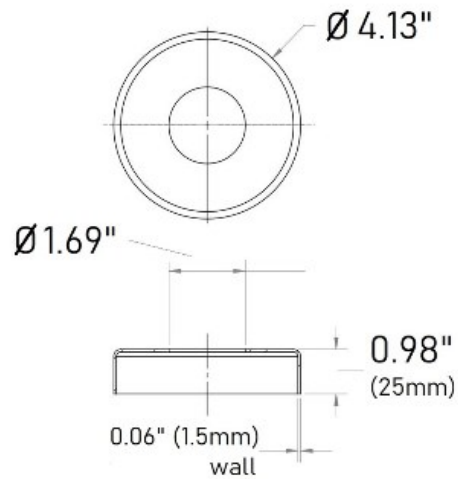


**47-540/424 316 Polished Stainless Steel Flange Canopy 1.67" Tubing**



The 47-540/424 round flange canopy or escutcheon plate is made of 316 grade stainless steel, has a polished finish and allows for a 1.67" diameter round tube to pass through its center hole. Use this cover as a decorative addition to flanges that are often unseemly because of the mounting hardware used with them.

**Material Care:** Clean with stainless steel cleaner and protectant, item# CAE-ZCcleanKIT.

Carton Qty: 50

Master Carton Qty: 100

Call toll free at 877-810-4116 to speak with a product specialist.