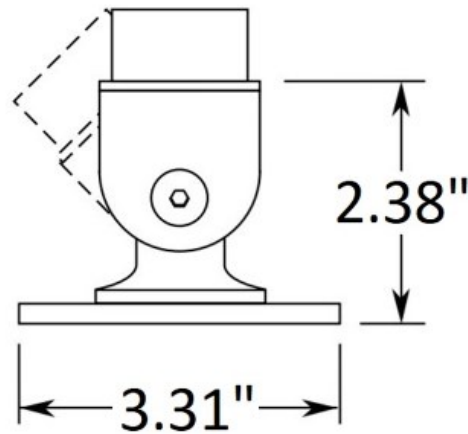


49-533/424 Adjustable Angle Flange in Brushed (Satin) Stainless Steel 316 for Tubing Size 1.67" OD (0.08" Wall)



This adjustable angle flush flange is available in brass and two different grades of stainless steel. It is a two part fitting with the two parts held together by a screw at the pivot point.

Common uses for this type of flange are

1. As a wall flange to enable angled position of a handrail.
2. As a floor flange on a vertical post for stair stringer or ramp positioning.

Use with matching tube and our metal adhesive item# LB-00201.

Call toll free at 877-810-4116 to speak with a product specialist.