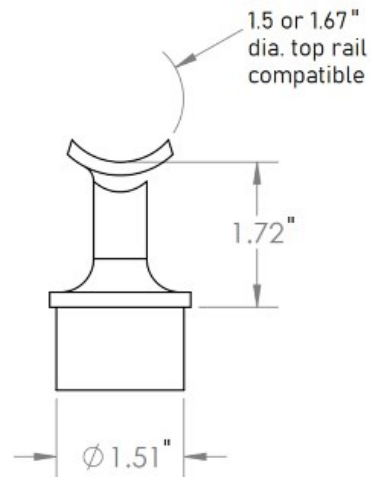


**49-352A/424** Satin (Brushed) 316 Stainless Steel Perpendicular Bracket Short  
Adjustable 1.67" Tubing



Used to connect a vertical post to a horizontal tube at an angle. Good for use on stairs and ramps - for sloped railings.  
Use (2) QS-113 screws to attach saddle to handrail. Screws sold separately.