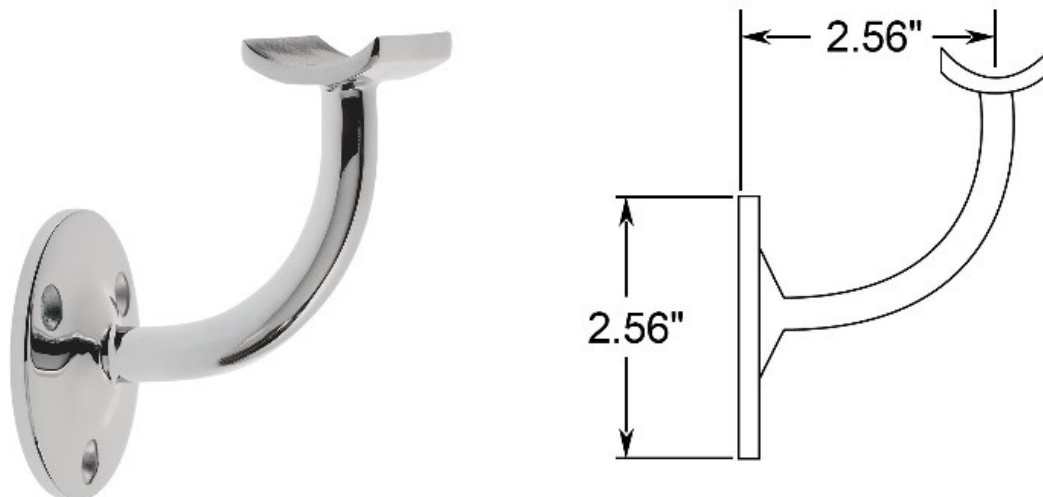


47-301/424 316 Polished Stainless Steel Standard Handrail Bracket 1.67" Tubing



This wall mount handrail bracket is made of 316 stainless steel, has a polished finish and is designed to hold 1.67" outside diameter round tube. The back plate has three counter sunk holes that can be positioned for horizontal or angled handrail. Mount this bracket on a wall (recommended on a stud) or on a rectangular vertical post using the included hardware or alternate depending on the material the bracket is being mounted upon.

Maximum center-to-center bracket spacing is 4 feet.

Hardware Included:

2 x #8 x 3/4" philips flat head self drilling screws to connect the bracket to the handrail
3 x #12 x 2" philips flat head screws to mount the bracket to the wall or post.

Material Care:

Maintain a polished finish with metal polish, item# 00202. Apply with a soft, damp cloth.

Case Quantity = 24 pcs

Master Quantity = 48 pcs

Consult local building codes for rail height, wall offset and other requirements.