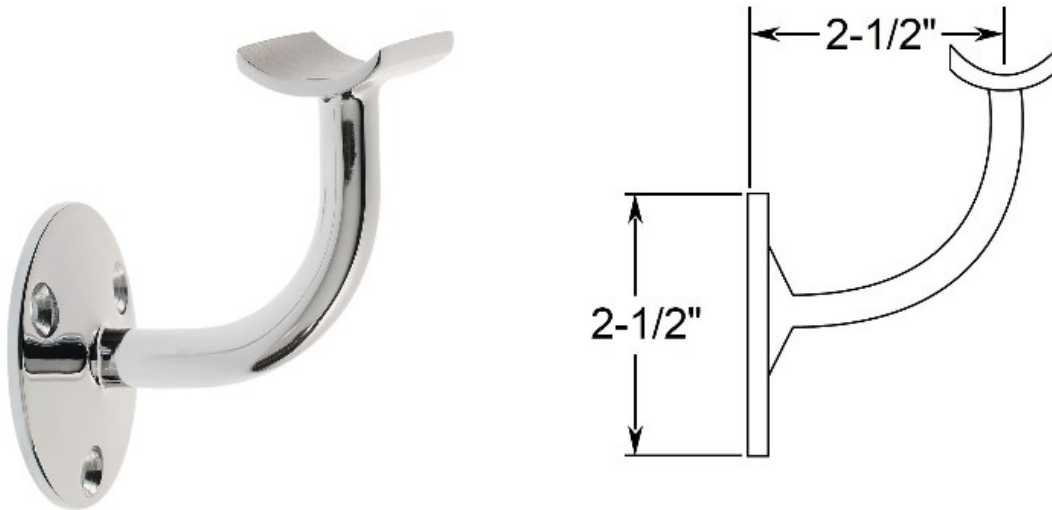


47-301/1H Polished 316 Stainless Steel Standard Handrail Bracket 1-1/2" Tubing



This wall mount handrail bracket is made of 316 stainless steel, has a polished finish and is designed to hold 1-1/2" outside diameter round tube. The back plate has three counter sunk holes that can be positioned for horizontal or angled handrail. Mount this bracket on a wall (recommended on a stud) or on a rectangular vertical post using the included hardware or alternate depending on the material the bracket is being mounted upon.

Maximum center-to-center bracket spacing is 4 feet.

Hardware Included:

2 x #8 x 3/4" philips flat head self drilling screws to connect the bracket to the handrail
3 x #12 x 2" philips flat head screws to mount the bracket to the wall or post.

Material Care:

Maintain a polished finish with metal polish, item# 00202. Apply with a soft, damp cloth.

Case Quantity = 24 pcs

Master Quantity = 48 pcs

Consult local building codes for rail height, wall offset and other requirements.