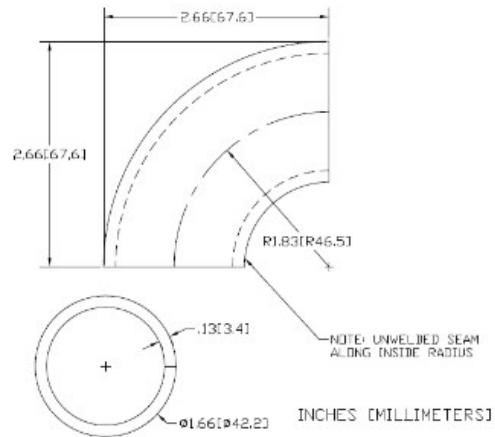


WA-266 90° Elbow 1" Inside Radius Steel 1-1/4" IPS



Shown in Mill SS Finish



Fittings designed for welding to pipe.