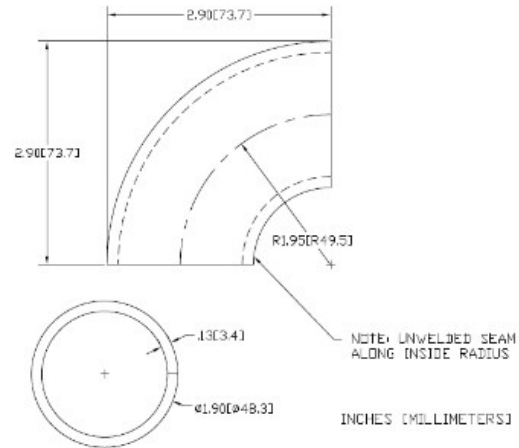


**WA-338 90° Elbow 1" Inside Radius Steel 1-1/2" IPS**



Shown in Mill SS Finish



Fittings designed for welding to pipe.