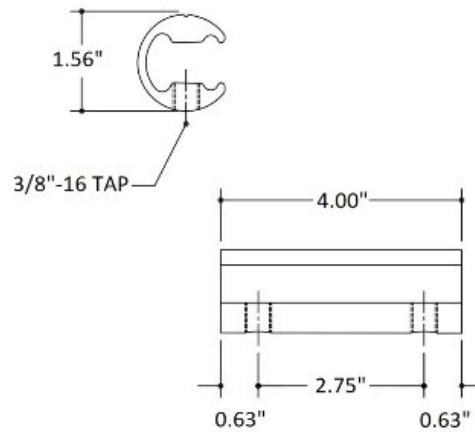


08655 Internal Locking Splice Aluminum for 1-1/2" Sch40 Pipe Length 4" 1-1/4" ID



This 1-1/2" size splice is designed to be used with select Interna-Rail® fittings including

49101 End Loop

49201 Tangent Bend

49301 Wall Return Bend

49401T and 49401B Wall Return Tangent Bend - Top and Bottom