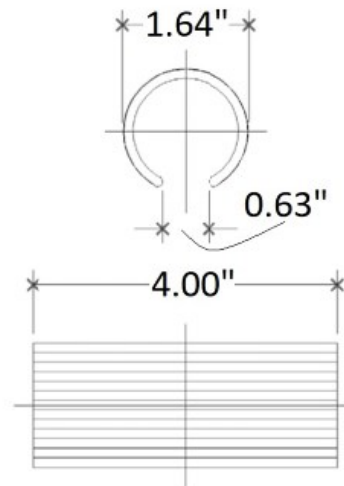
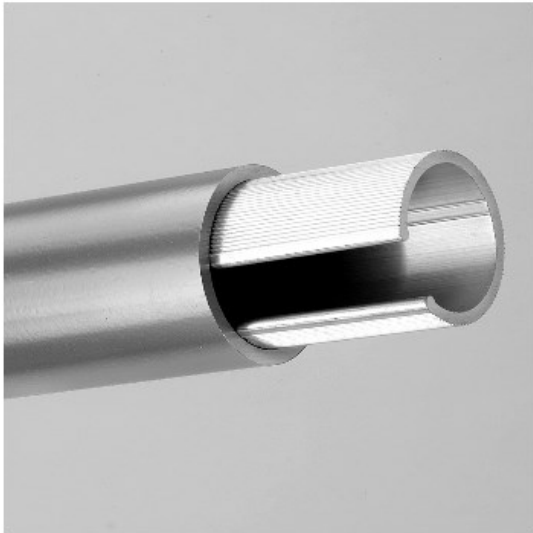


08640 70E-8 Internal Coupling (Friction Fit) 1-1/2" IPS Schedule 40



Item 08640 (70E-8) is an aluminum internal coupling (splice) that is designed to connect the ends of two equal pipes that are 1-1/2" IPS schedule 40 pipe in size.

To insert the coupling, squeeze the coupling using channel lock pliers and insert a small amount into the pipe. Then drive the coupling in further to the desired position.

Use with the following items

51-A112ID - mill finish 1-1/2" IPS schedule 40

50-A112ID - anodized 1-1/2" IPS schedule 40

52-A112ID - bright dip anodized 1-1/2" IPS schedule 40

50BK-A112ID - black anodized 1-1/2" IPS schedule 40