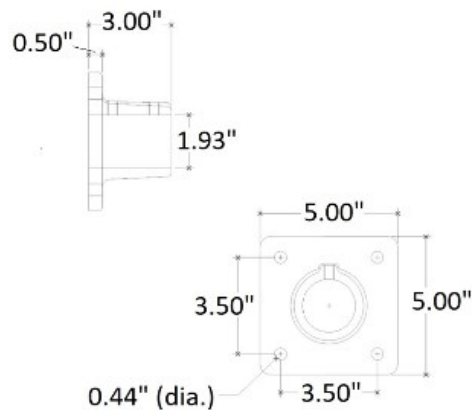


28470 45SBC-8 Square Base Flange Aluminum Magnesium 1-1/2" IPS (1.94" ID). Four 7/16" Holes



The Speed-Rail® Square Base Flange is made of cast aluminum-magnesium alloy 535 and is available for pipe 1-1/2".

Aluminum-magnesium alloy 535 is one of the most corrosion resistant aluminum alloys.

Each Square Base Flange comes with two set screws that are zinc plated per ASTM B633 followed by trivalent conversion and JS600 top coat.

Special order options include anodized and powder coat finishes and also stainless steel set screws.