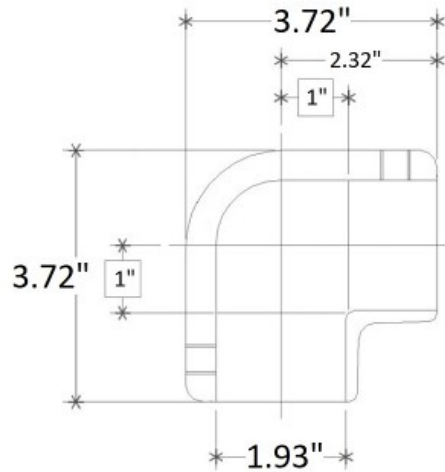


BuyRailings 71 Commerce Drive Brookfield, CT 06804 T 877-810-4116 F +1-203-930-3620 [www.buyrailings.com](http://www.buyrailings.com)

**08020 Elbow Aluminum Magnesium 1-1/2" IPS (1.94" ID)**



[Click here for chart](#)

