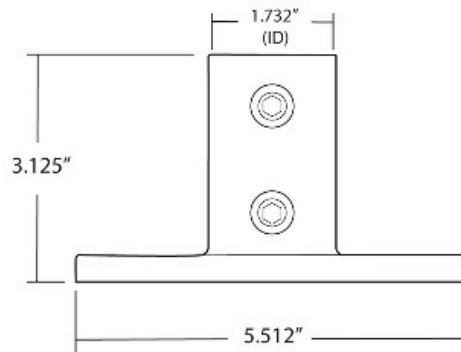


22-531-7 Standard Railing Flange Galvanized Steel 1-1/4" IPS (1.72" ID)



Ideal when a structural fixing is required. When fixing guardrailings and balustrades, Type 62 should always be used. The holes are of sufficient diameter to insure proper fixing with either a mechanical or chemical anchor. The two set screws in the vertical socket give greater sideload stability to the upright. It is recommended that the fixing holes in the flange should be in line with the applied load. Ø indicates diameter of fixing holes.

Part	Weight	A	D	E	F	G	H	diameter of fixing holes
62-5	1.3 lbs.	5	2.52 in.	4.57 in.	2.99 in.	2.99 in.	0.31 in.	0.43 in.
62-6	1.61 lbs.	6	2.99 in.	5.04 in.	3.5 in.	3.5 in.	0.31 in.	0.55 in.
62-7	2.64 lbs.	7	2.95 in.	5.51 in.	3.5 in.	4.02 in.	0.39 in.	0.55 in.
61-8	2.86 lbs.	8	2.95 in.	5.51 in.	3.5 in.	4.53 in.	0.39 in.	0.55 in.
62-9	3.87 lbs.	9	4.02 in.	6.5 in.	5 in.	5 in.	0.39 in.	0.71 in.