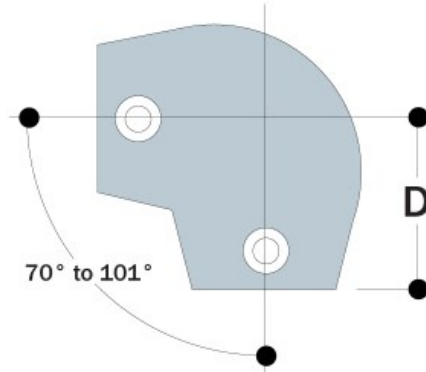


KK87-7 Angle Elbow Galvanized Steel 1-1/4" IPS (1.72" ID)



Used to join the top rail to an end upright on a guardrail on a slope from 0° to 11° at both top and bottom of the run.

Part	Weight	A	D
87-7	1.76 lbs.	7	2.36 in.
87-8	1.98 lbs.	8	2.68 in.