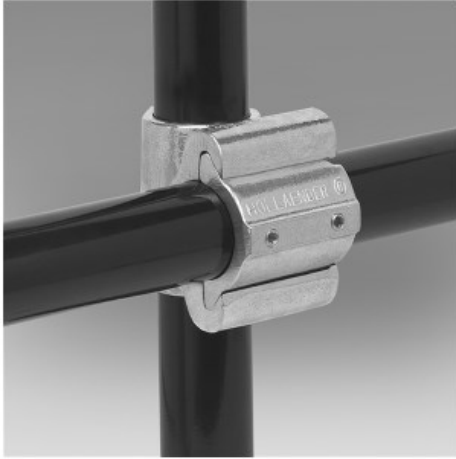


**16040 Modular Offset Cross Assembly Aluminum Magnesium 1" IPS (1.38" ID)**



[Click here for chart](#)

