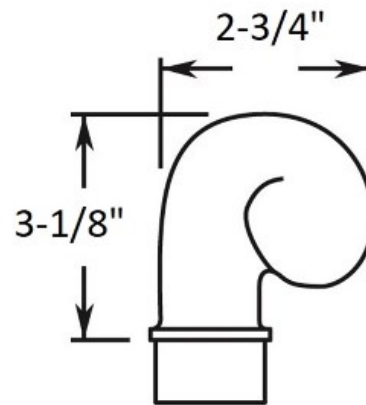


00-606/1H Polished Brass Scroll Finial 1-1/2" OD



This decorative brass finial is made of brass and has a polished finish. It is to fit into tube with a 1-1/2" outside diameter and a 0.05" wall thickness.

Fix the finial to the tube using metal adhesive LB-00201.