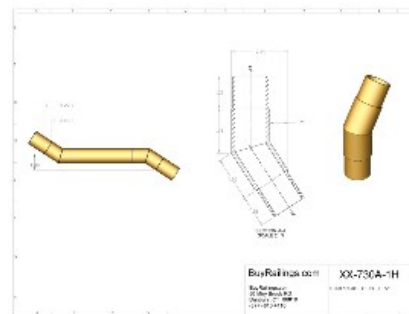


### 40-730A/1H Polished Stainless Steel 147 Degree Angle Flush Hand Rail Connector 1-1/2" OD



A streamlined look is achieved with the use of flush hand rail fittings. Component options ensure simple assembly and flexibility to accommodate any project. Our line of flush hand rail fittings feature a 1" long sleeve (The longest in the industry) for added strength and adhesive coverage.

**Note:**

Flush fittings **DO NOT include screws**. Attach tube to fitting with Lido Weld adhesive, LB-00201.