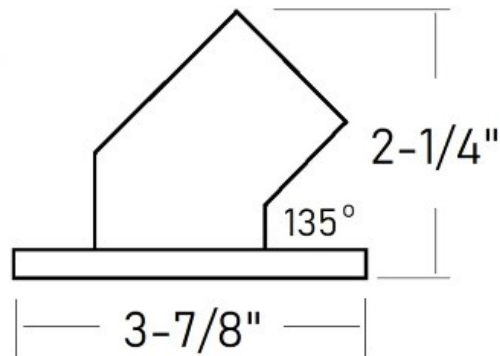


00-515/1H Polished Brass 45 Degree Angle Flange 1-1/2" OD



This 45 degree angle flange is an optimal solution to build angled sneeze guards or to terminate a tube from a 45 degree angle to a wall. 00-515/1H is made of polished brass and is for tube size 1-1/2" OD x 0.05" wall. The mounting flange has three counter sunk holes.

**Material Care:** Maintain a polished finish with metal polish, item# 00202. Apply with a soft, damp cloth.