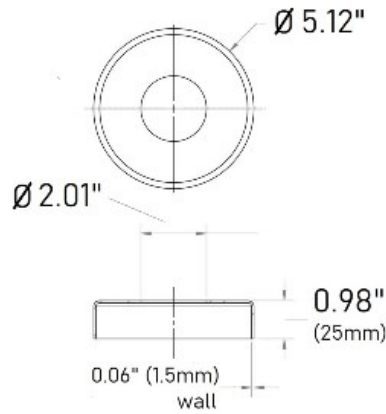


44-540/2 Satin (Brushed) Stainless Flange Canopy 2" OD



The 44-540/2 round flange canopy or escutcheon plate is made of 304 grade stainless steel, has a satin (brushed) finish and allows for a 2" diameter round tube to pass through its center hole. Use this cover as a decorative addition to flanges that are often unseemly because of the mounting hardware used with them.

Material Care: Clean with stainless steel cleaner and protectant, item# CAE-ZCLeankIT.

Call toll free at 877-810-4116 to speak with a product specialist.