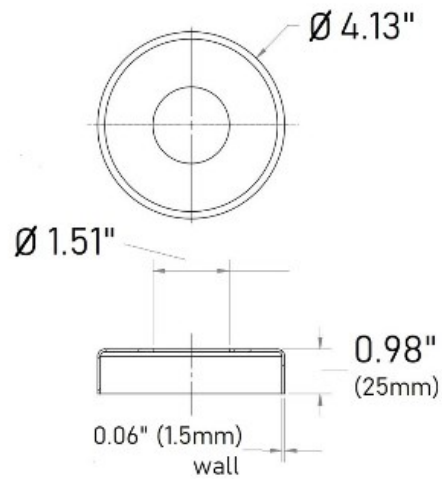


**44-540/1H Satin (Brushed) Stainless Flange Canopy 1-1/2" OD Tubing**



The 44-540/1H round flange canopy or escutcheon plate is made of 304 grade stainless steel, has a satin (brushed) finish and allows for a 1-1/2" diameter round tube to pass through its center hole. Use this cover as a decorative addition to flanges that are often unseemly because of the mounting hardware used with them.

**Material Care:** Clean with stainless steel cleaner and protectant, item# CAE-ZCLeankIT.

Call toll free at 877-810-4116 to speak with a product specialist.