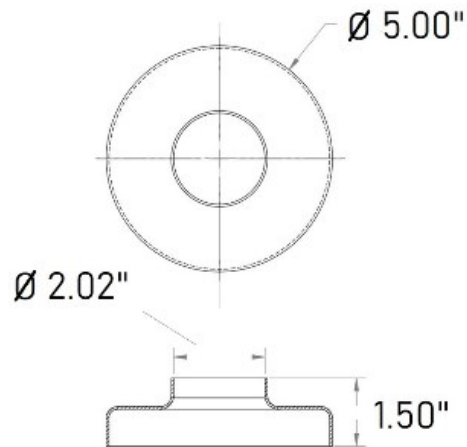


00-540/2 Polished Brass Flange Canopy 2" OD



The 00-540/2 round flange canopy or escutcheon plate is made of brass, has a polished finish and allows for a 2" diameter round tube to pass through its center hole. Use this cover as a decorative addition to flanges that are often unseemly because of the mounting hardware used with them.

Material Care: Maintain a polished finish with metal polish, item# 00202. Apply with a soft, damp cloth.