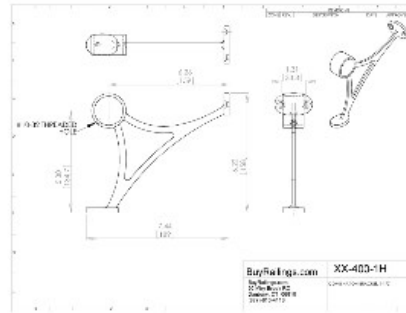


44-400/1H Satin (Brushed) Stainless Steel Combination Bar Footrail Bracket 1-1/2" OD



The 400 Combination Bar Footrail Bracket is available in sizes designed to hold 1-1/2" and 2" round tube and is available in brass and 304 grade stainless steel. Combination brackets are the most popular footrail brackets with one leg that mounts to the bar and the second leg that rests on the floor.

Each bracket includes two flat head screws used to connect to the bar and one self drilling screw to hold the bracket to the tube.

Maximum center-to-center bracket spacing is 4 feet