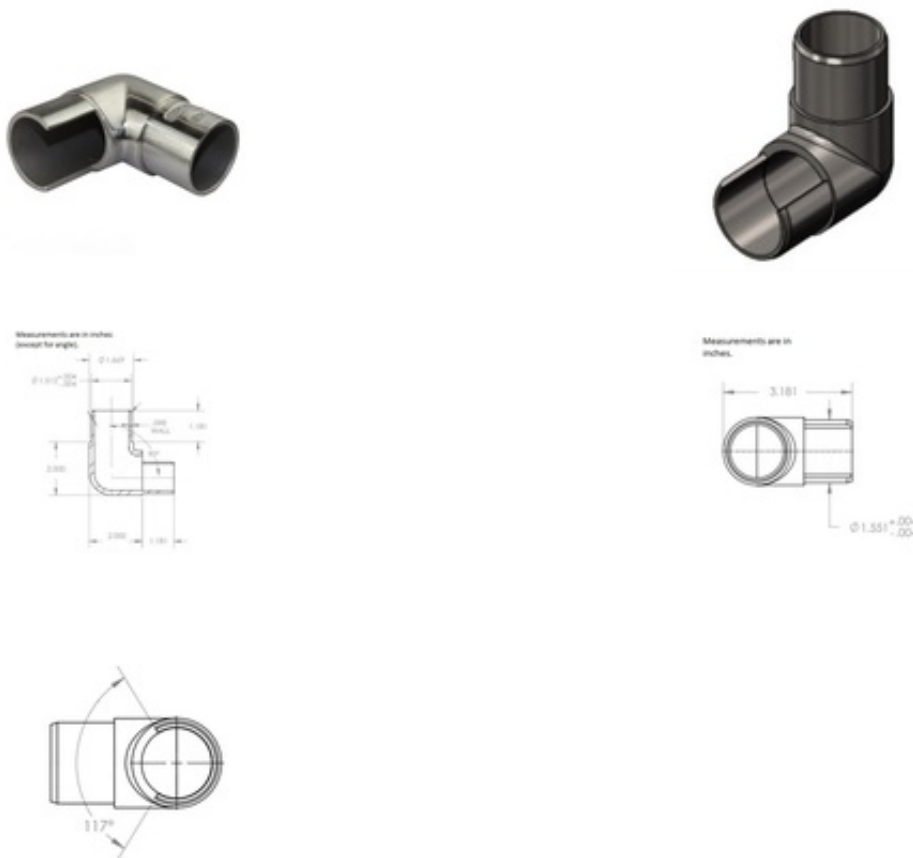


47-732C/424 732C - Flush Ell - Channel Tube to Round Tube (Polished Stainless Steel 316)



This elbow can connect to two different tubes.

One neck of the fitting mates with round tube, 1.67" x 0.08" (item A114).

The other neck of the fitting mates with channel tube, 1.67" x 0.06" (item A114U).

A streamlined look is achieved with the use of flush fittings. Different options ensure simple assembly and flexibility to accommodate any project. Our flush fittings feature a 1" long sleeve (The longest in the industry) for added strength and adhesive coverage.

Note:

Flush fittings **DO NOT** include screws. Attach tube to fitting with Lido Weld adhesive, LB-00201.