

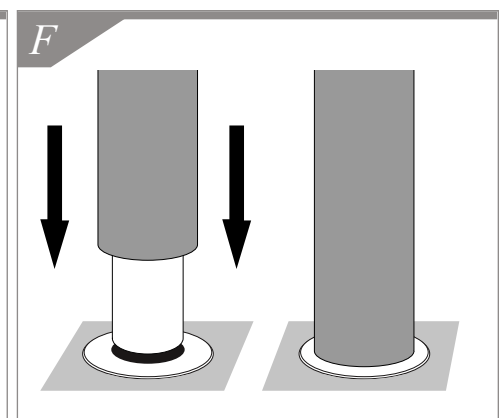
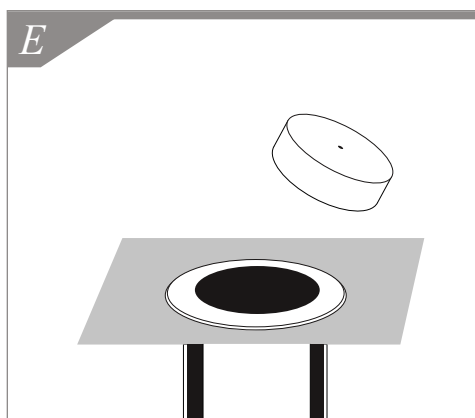
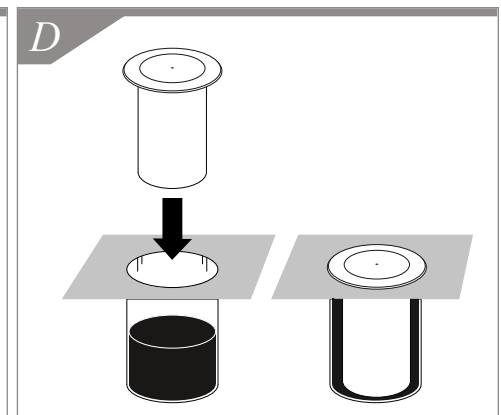
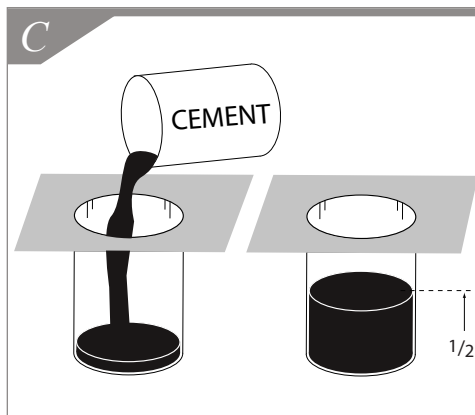
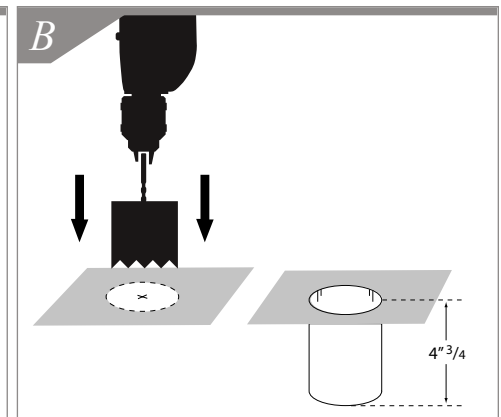
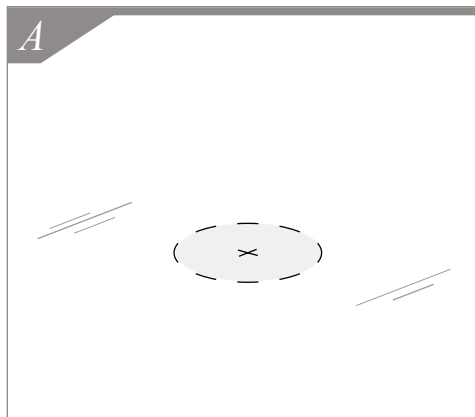
Floor Socket 544

Parts List:



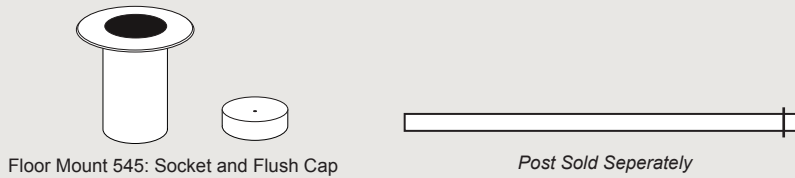
Required Tools

1. Determine and mark post location on ground. See Figure A.
2. Use 3-3/4" Dia. Hole Saw and drill 4-3/4" deep to allow floor socket to fit inside hole. See Figure B.
3. Fill hole with cement halfway. See Figure C.
4. Insert Floor Socket. Wiggle Floor Socket down until the bottom of the top plate sits even with the ground. Quickly clean any overflow cement. See Figure D.
5. Remove Flush Cap from Floor Socket. See Figure E.
6. Allow cement to dry thoroughly before inserting post. See Figure F.



Floor Socket 545

Parts List:



Required Tools

1. Determine and mark post location on ground. See Figure A.
2. Use 3-3/4" Dia. Hole Saw and drill 4-3/4" deep to allow floor socket to fit inside hole. See Figure B.
3. Fill hole with cement halfway. See Figure C.
4. Insert Floor Socket. Wiggle Floor Socket down until the bottom of the top plate sits even with the ground. Quickly clean any overflow cement. See Figure D.
5. Remove Flush Cap from Floor Socket. See Figure E.
6. Allow cement to dry thoroughly before inserting post. See Figure F.

